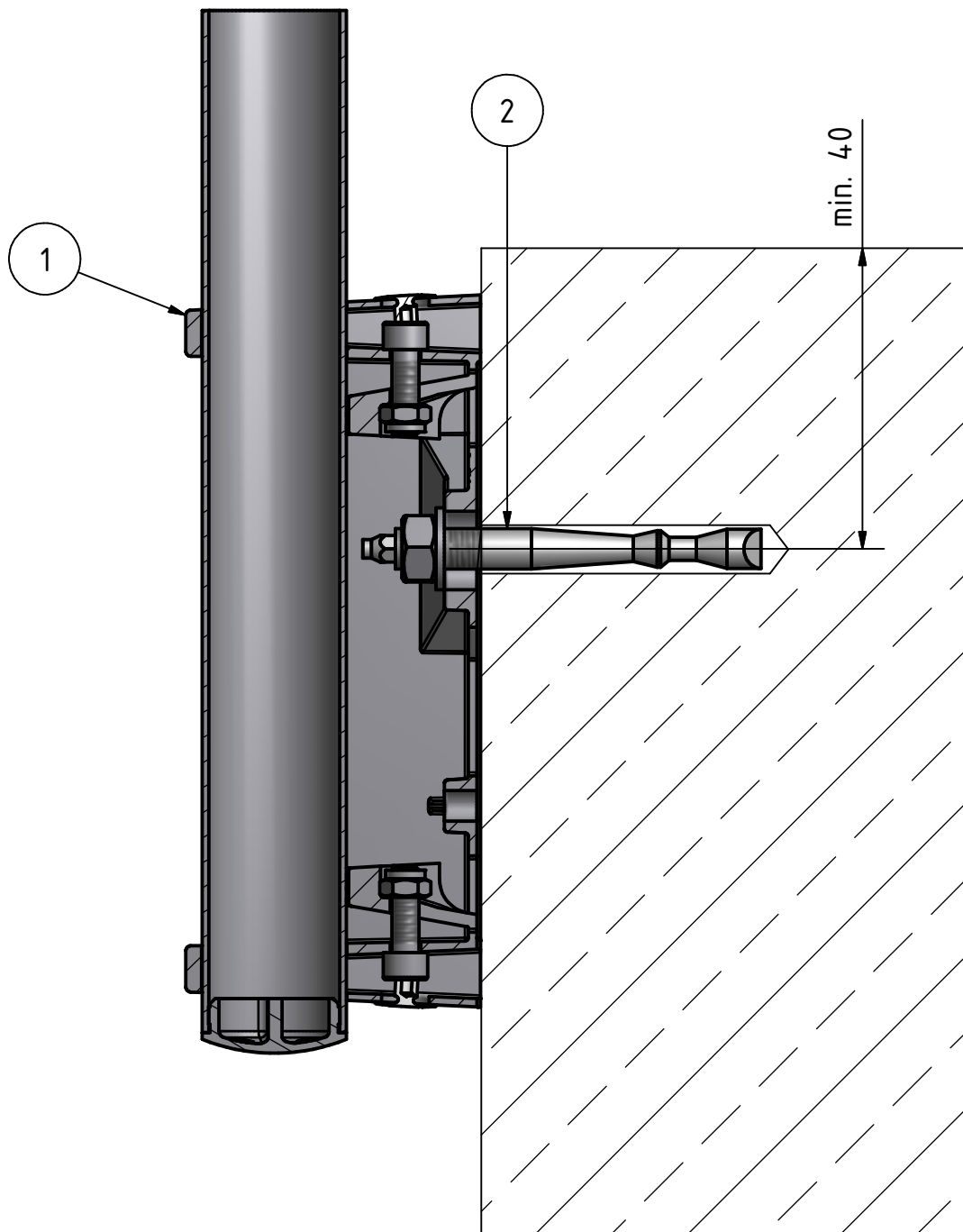


- 1. fascia bracket 0558
- 2. anchor no. 19.4012.010.xx



Article: Q-line	Infill: 0558	Drawn: TR	This drawing and design are the sole property of Q-railing Europe GmbH & Co. KG. Any reproduction in part or as a whole and forwarding to unauthorised third parties without the permission of Q-railing is prohibited.
		Date: 16.05.2012	
Project: fascia mount	Detail: 0558-001	Edited:	
		Date:	
Scale: 1:2	Your choice in railing systems		