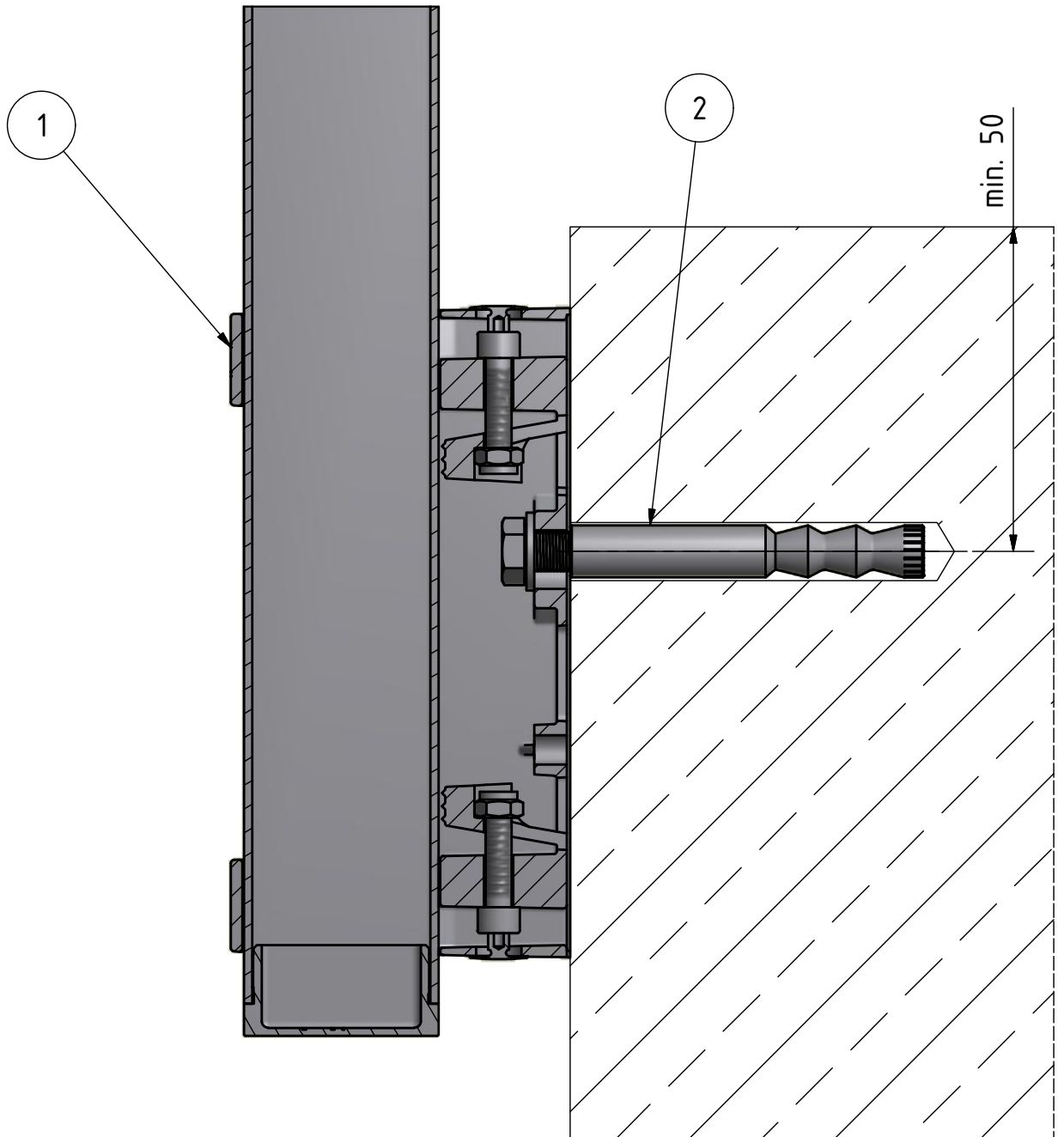


1. fascia bracket 4558
2. anchor no. 19.4512.127.xx  
(or comparable anchor)



Article: Square Line 60x30

MOD: 4558

Drawn: ASEE

Date: 24.01.2014

This drawing and design are the sole property of Q-railing Europe GmbH & Co. KG. Any reproduction in part or as a whole and forwarding to unauthorised third parties without the permission of Q-railing is prohibited.

Project: fascia mount

Detail: 4558-001

Edited:

Date:

Scale: 1:2

Your choice in railing systems



Q-DESIGNS BY Q-RAILING