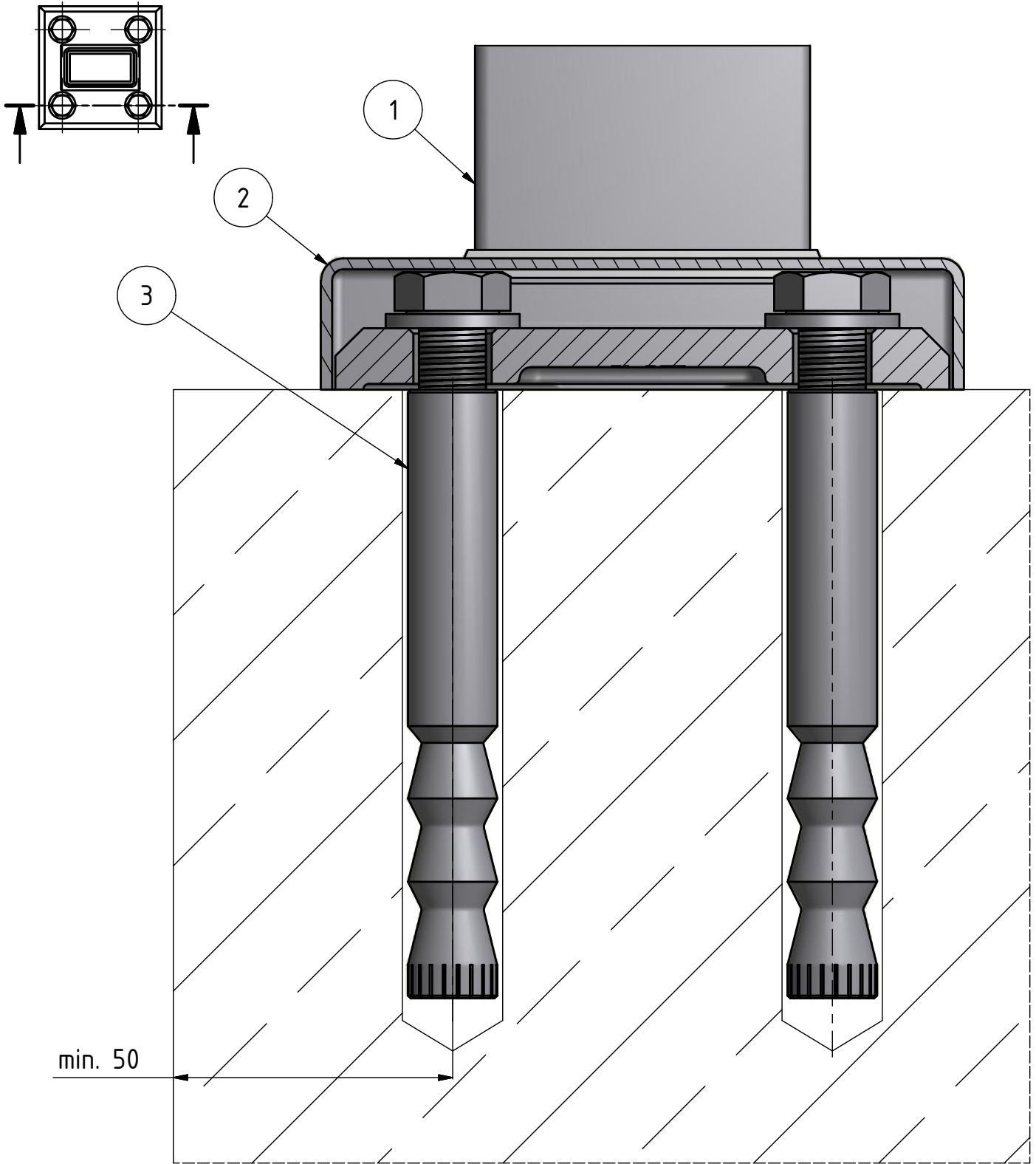


1. flange model: 4901
2. cover cap
3. anchor no. 19.4512.127.xx (4x)
(or comparable anchor)



Article: Square Line 60x30 MOD: 4901

Drawn: ASEE
Date: 23.01.2014

This drawing and design are the sole property of Q-railing Europe GmbH & Co. KG. Any reproduction in part or as a whole and forwarding to unauthorised third parties without the permission of Q-railing is prohibited.

Project: top mount

Detail: 4901-001

Edited:
Date:

Scale: 1:1

Your choice in railing systems



Q-DESIGNS BY Q-RAILING