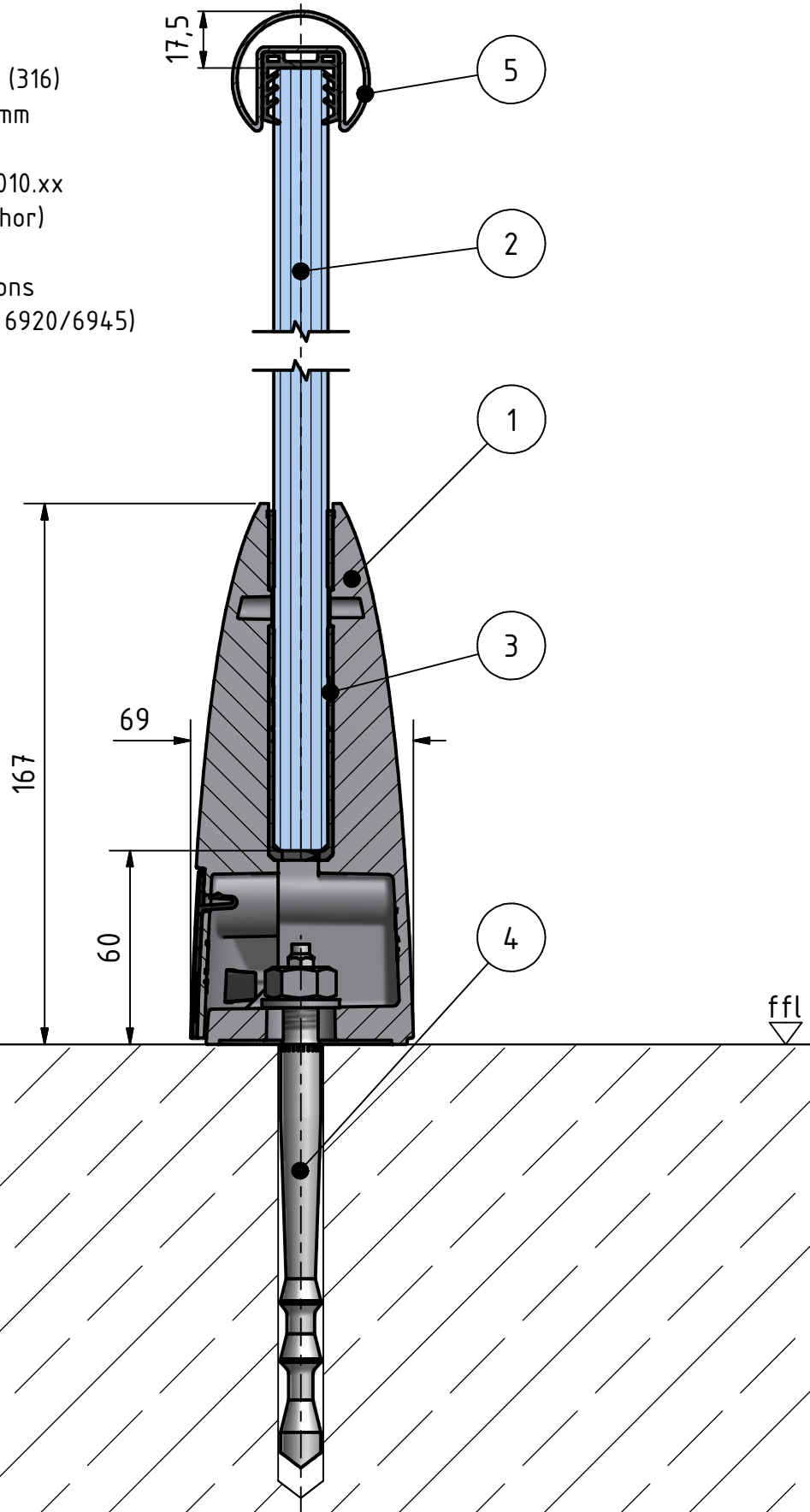


- 1. bottom glass clamp (316)
- 2. glass 12mm - 17,52mm
- 3. rubber (EPDM)
- 4. anchor no. 19.4412.010.xx
(or comparable anchor)
- 5. cap rail $\varnothing 42,4$ mm
(more cap rail options
see detail drawing 6920/6945)



Article: Easy Glass base glass clamps MOD: 6000

Drawn: MB

This drawing and design are the sole property of Q-railing Europe GmbH & Co. KG. Any reproduction in part or as a whole and forwarding to unauthorised third parties without the permission of Q-railing is prohibited.

Date: 19.01.2012

Project: top mount

Detail: 6000-001

Edited: TR

Date: 29.05.2012

Scale: 1:2

Your choice in railing systems



Q-DESIGNS BY Q-RAILING