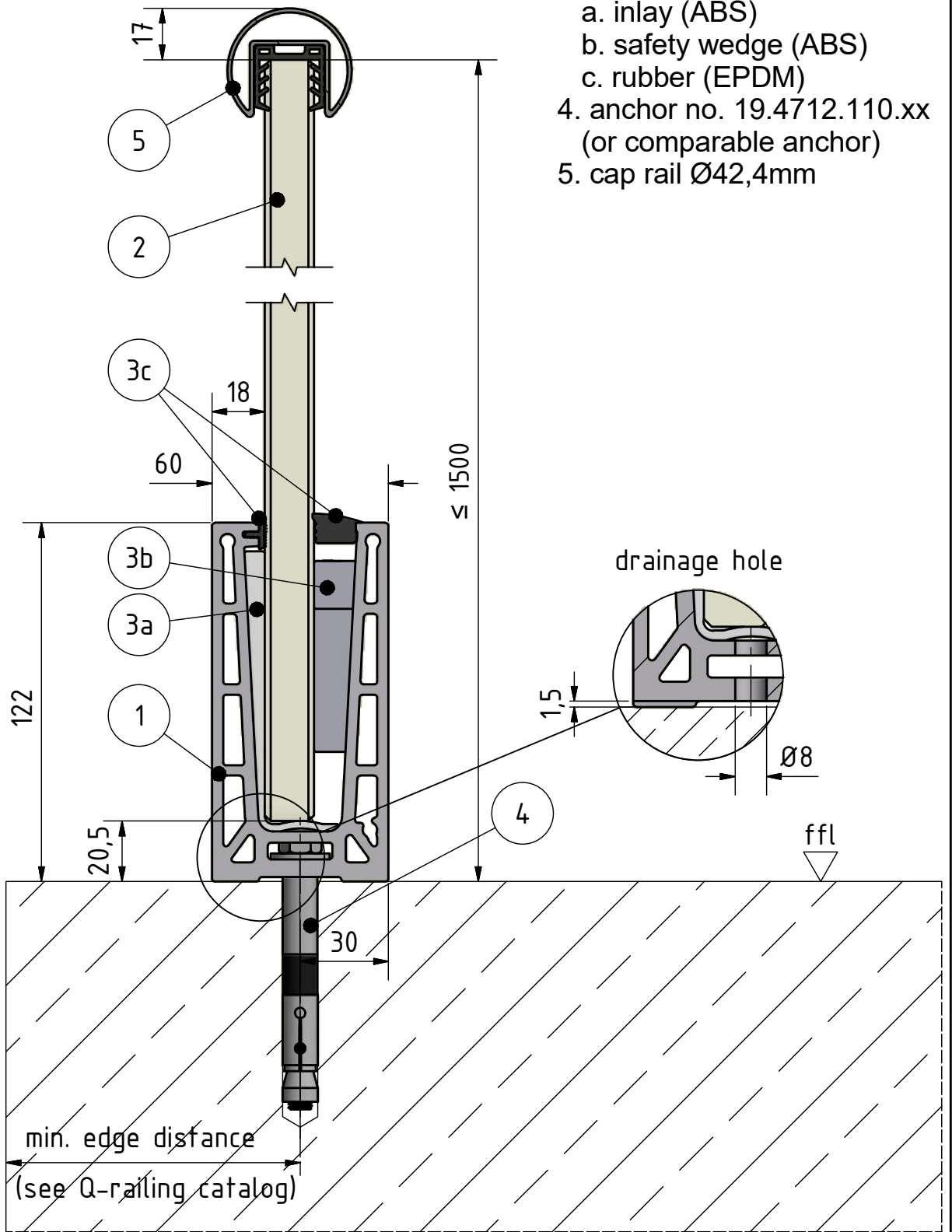


1. profile Easy Glass Pro
2. glass 12mm - 21,52mm
3. rubber-set, fix
 - a. inlay (ABS)
 - b. safety wedge (ABS)
 - c. rubber (EPDM)
4. anchor no. 19.4712.110.xx (or comparable anchor)
5. cap rail Ø42,4mm



SYSTEM: Easy Glass Pro
MODEL: 6906
DESCRIPTION: top mount, fix

DRAWN: ASG
DATE: 15.02.2017
DRAWING NO.: 6906-001

This detail drawing is for reference purposes only. The installer must check the specifications and details with the local situation and regulations. For further advice and service please contact your nearest Q-railing office.

© Q-railing Europe GmbH & Co. KG

THE PREMIUM BRAND IN RAILING SYSTEMS | WWW.Q-RAILING.COM

Q-railing