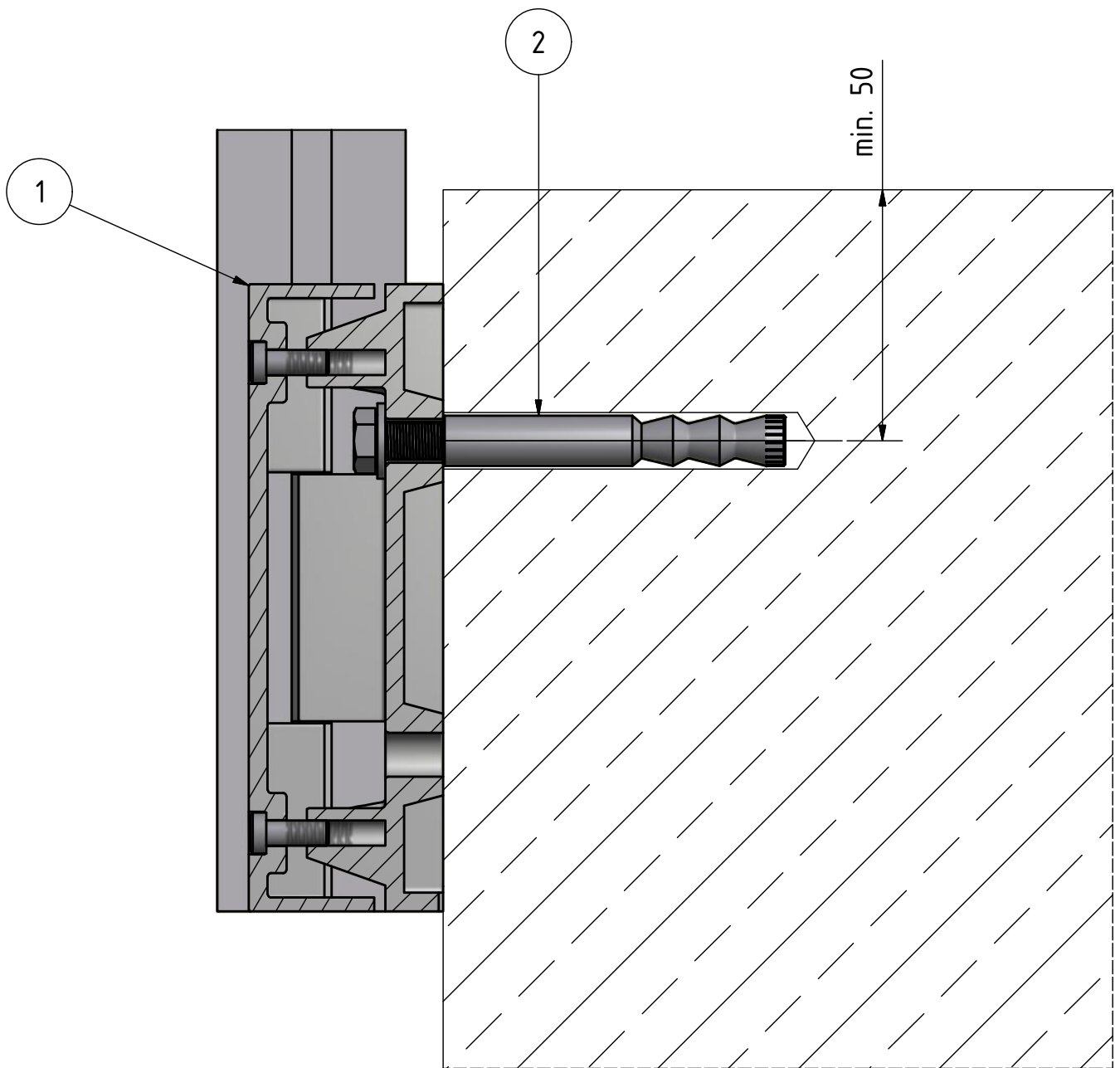



1. fascia bracket 9025
2. anchor no. 19.4512.127.xx
(or comparable anchor)



Article: Duo Line	MOD: 9025	Drawn: ASEE	This drawing and design are the sole property of Q-railing Europe GmbH & Co. KG. Any reproduction in part or as a whole and forwarding to unauthorised third parties without the permission of Q-railing is prohibited.
		Date: 21.01.2014	
Project: fascia mount	Detail: 9025-001	Edited:	
		Date:	
Scale: 1:2	Your choice in railing systems		 Q-DESIGNS BY Q-RAILING