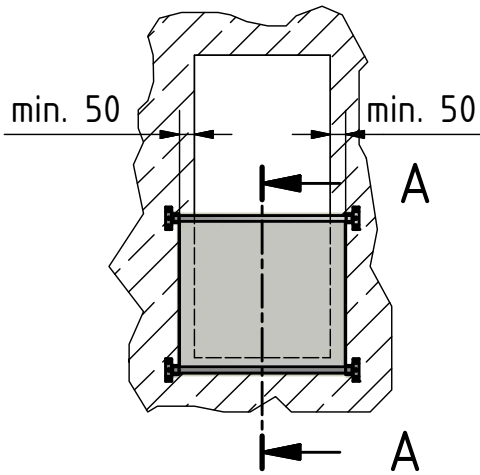
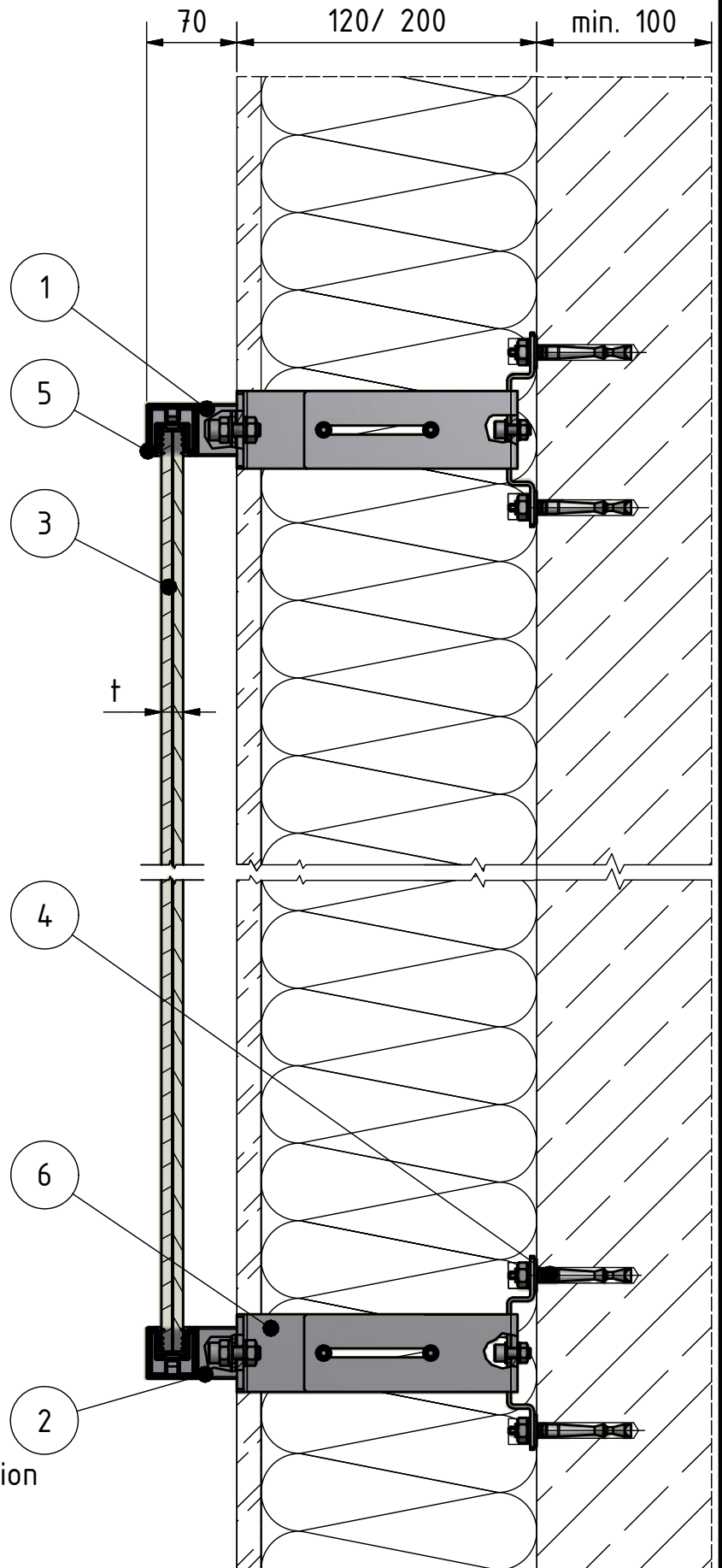
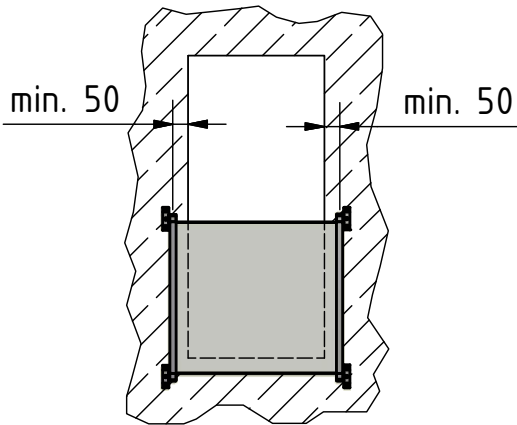


Version A



Version B



1. Wandflange 90° MOD 6507 quadratisch 40x40 mm
2. Wandflange 90° MOD 6508 quadratisch 40x40 mm
3. Glas 8mm - 21,5 mm
4. Anker Nr. 19.4010.010.xx (oder vergleichbarer Anker)
5. Handlauf 40x40 mm
6. unterstützende Stahlkonstruktion

Article: Easy Glass MOD: 6507/ 6508

Drawn: ASEE  
Date: 10.06.2014

This drawing and design are the sole property of Q-railing Europe GmbH & Co. KG. Any reproduction in part or as a whole and forwarding to unauthorised third parties without the permission of Q-railing is prohibited.

Project: Quad. Handlauf am Putz Detail: 650x-005

Edited:  
Date:

Scale: 1:5

Your choice in railing systems



Q-DESIGNS BY Q-RAILING