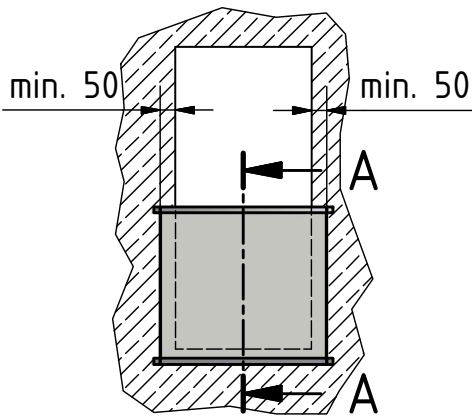
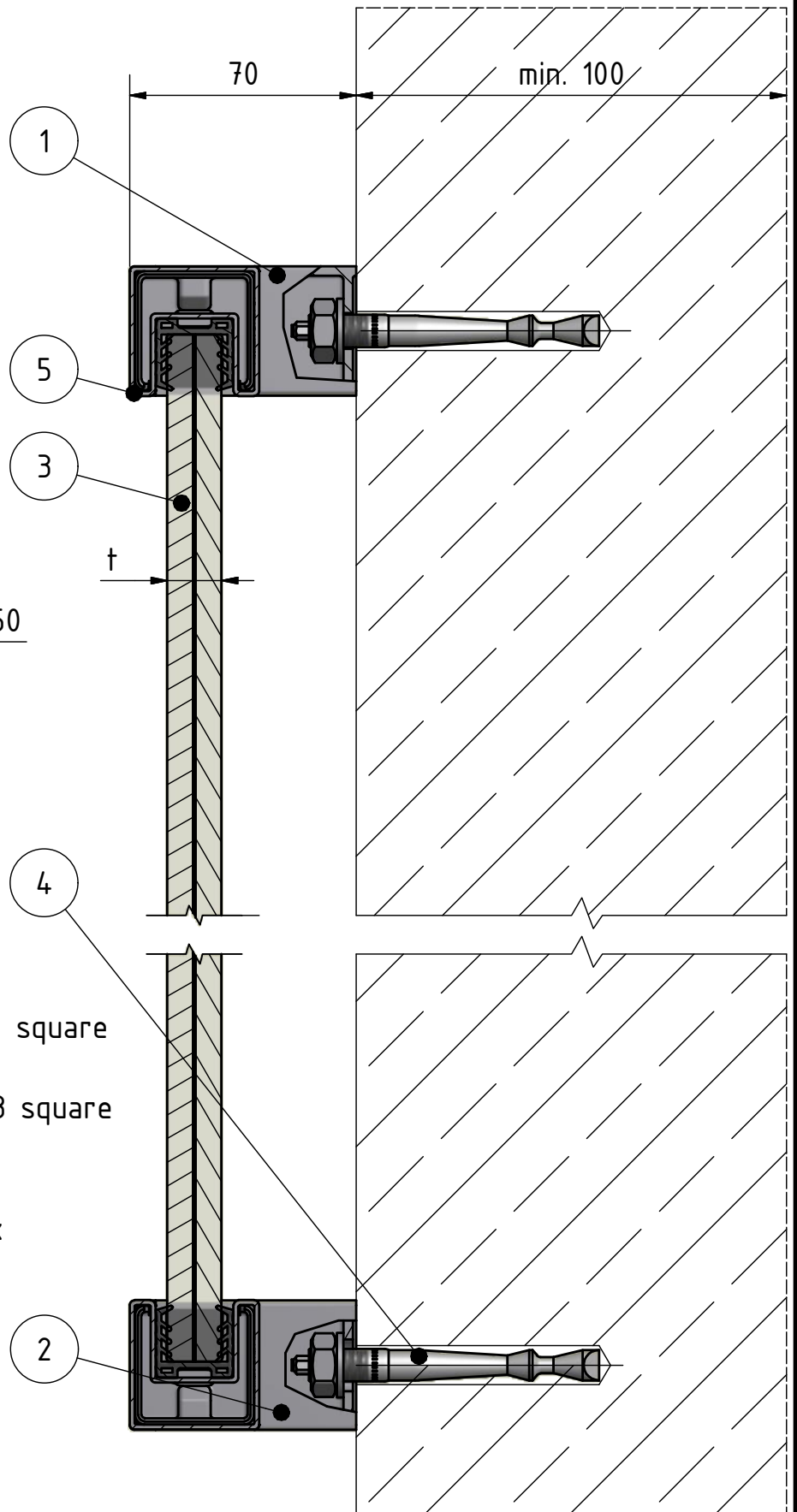
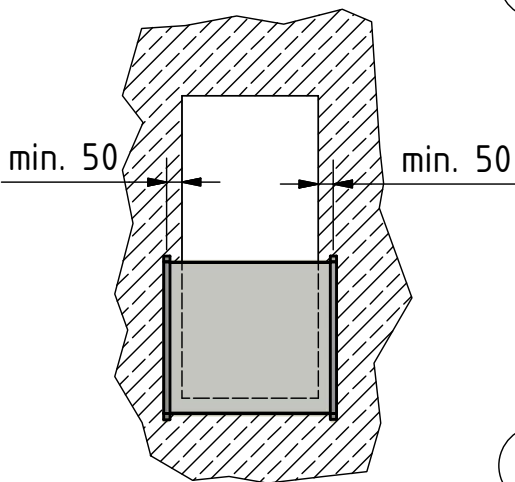


### Version A



### Version B



- 1. wall flange 90° MOD 6507 square 40x40 mm
- 2. wall flange 90° MOD 6508 square 40x40 mm
- 3. glass 8mm - 21,5mm
- 4. anchors no. 19.4010.010.xx (or comparable anchor)
- 5. cap rail 40x40 mm

Article: Easy Glass

MOD: 6507/ 6508

Drawn: ASEE

Date: 05.05.2014

This drawing and design are the sole property of Q-railing Europe GmbH & Co. KG. Any reproduction in part or as a whole and forwarding to unauthorised third parties without the permission of Q-railing is prohibited.

Project: square rail at concrete Detail:650x-001

Edited:

Date:

Scale: 1:5

Your choice in railing systems



Q-DESIGNS BY Q-RAILING