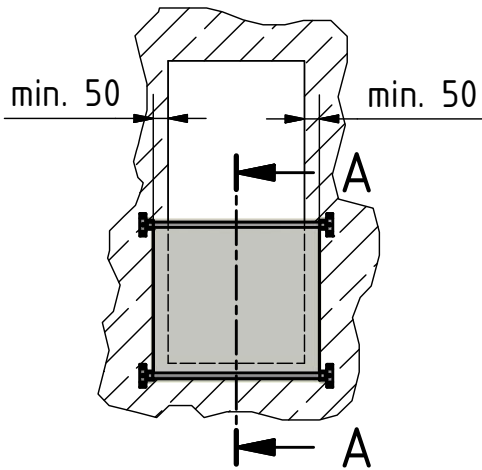
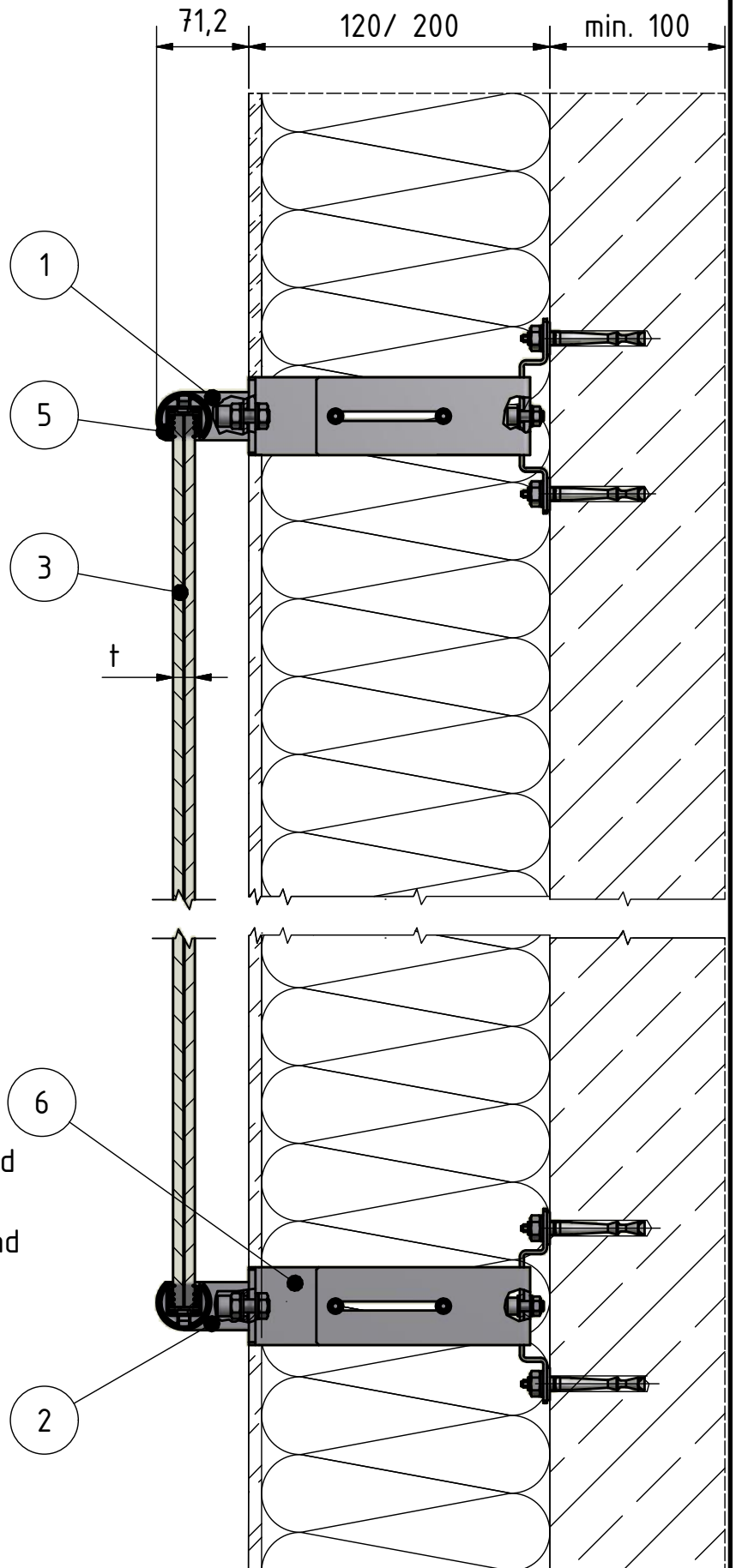
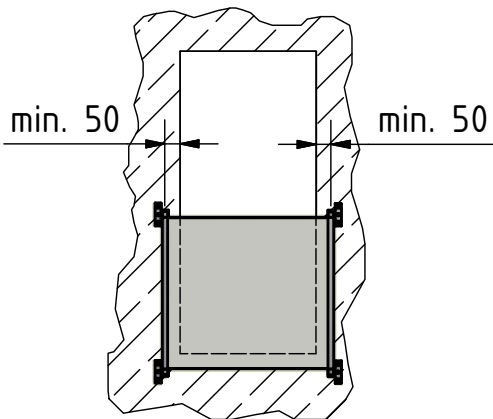


Version A



Version B



1. wall flange 90° MOD 6507 round for  $\varnothing$  42,4 mm or  $\varnothing$  48,3 mm
2. wall flange 90° MOD 6508 round for  $\varnothing$  42,4 mm or  $\varnothing$  48,3 mm
3. glass 8mm - 21,5mm
4. anchors no. 19.40.10.010.xx ( or comparable anchor)
5. cap rail  $\varnothing$  42,4 mm or  $\varnothing$  48,3 mm
6. supportive steel- construction

Article: Easy Glass MOD: 6507/ 6508

Drawn: ASEE  
Date: 05.06.2014

This drawing and design are the sole property of Q-railing Europe GmbH & Co. KG. Any reproduction in part or as a whole and forwarding to unauthorised third parties without the permission of Q-railing is prohibited.

Project: round rail at plaster Detail: 650x-006

Edited:  
Date:

Scale: 1:5

Your choice in railing systems



Q-DESIGNS BY Q-RAILING